

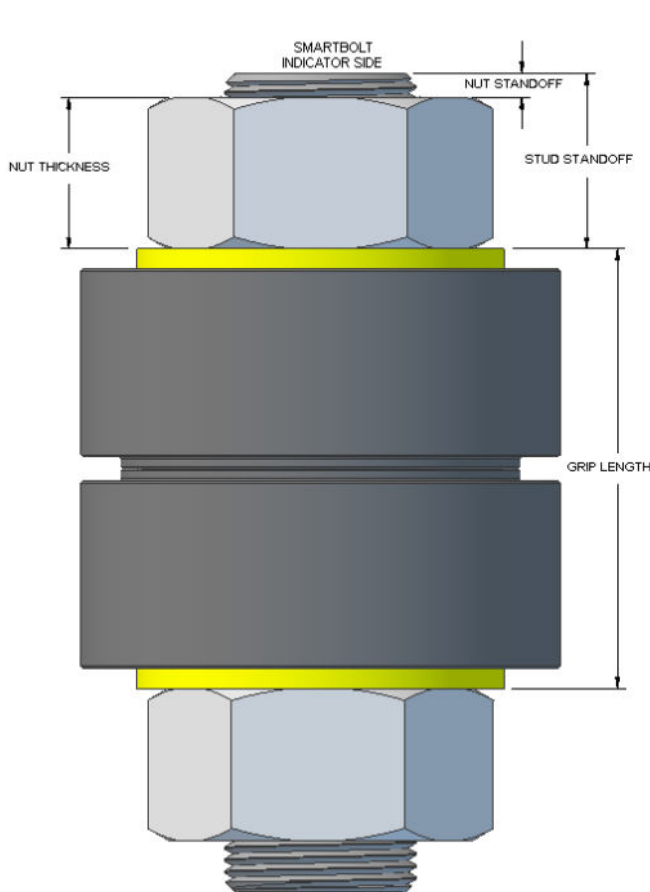
Please evaluate the dimensions below and provide as much information as possible. To ensure indicator accuracy when using studs, the NUT STANDOFF must be kept consistent.

Joint Type = Type 1 or Type 2

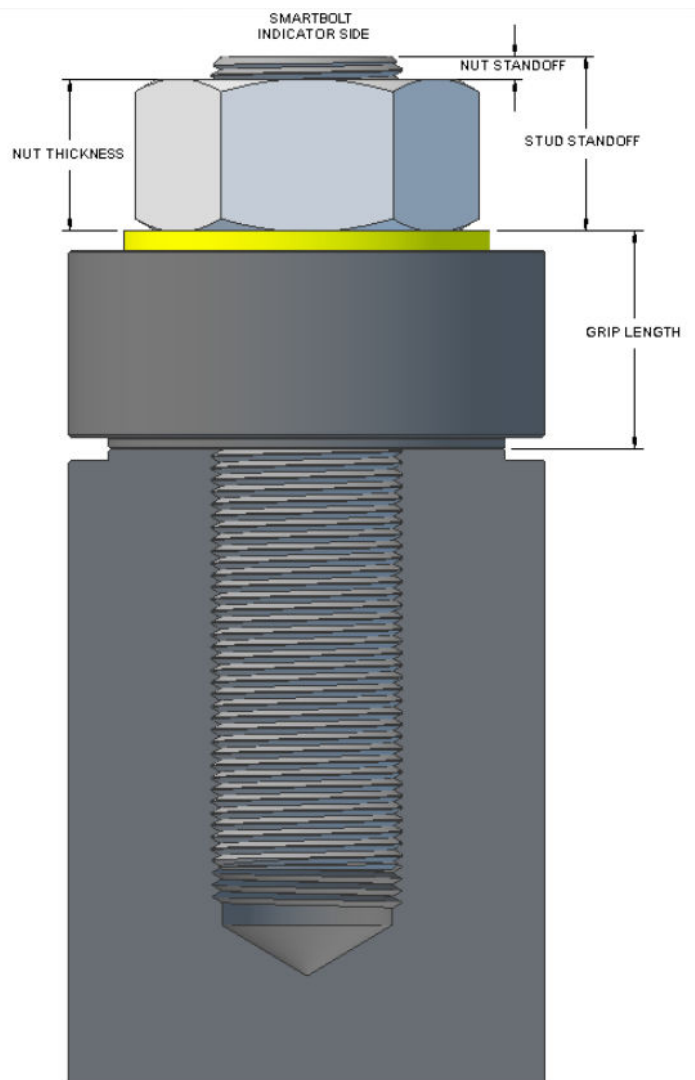
NUT STANDOFF = _____

NUT THICKNESS = _____

GRIP LENGTH = _____



Type 1 - Through Bolting



Type 2 - Blind Hole